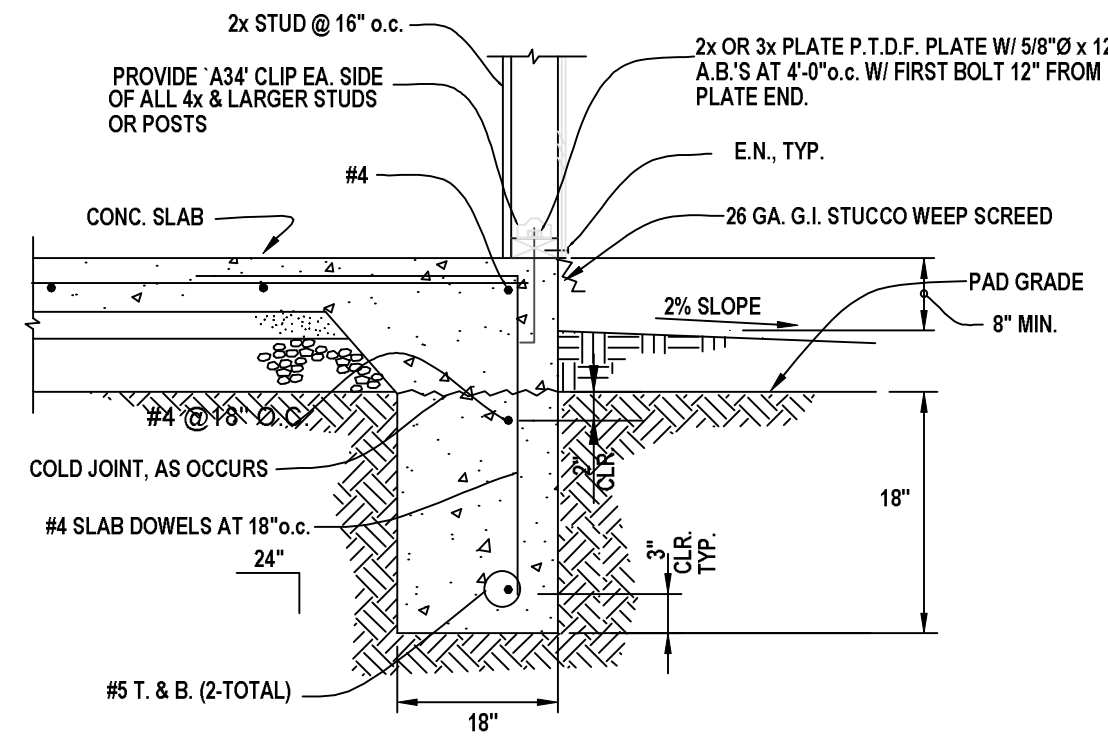


NOTE: WOOD IN DIRECT CONTACT WITH CONCRETE SHALL BE PRESSURE TREATED. HOT DIPPED GALVANIZED CONNECTORS AND FASTENERS SHALL BE USED IN ALL PRESSURE TREATED WOOD CONNECTIONS.

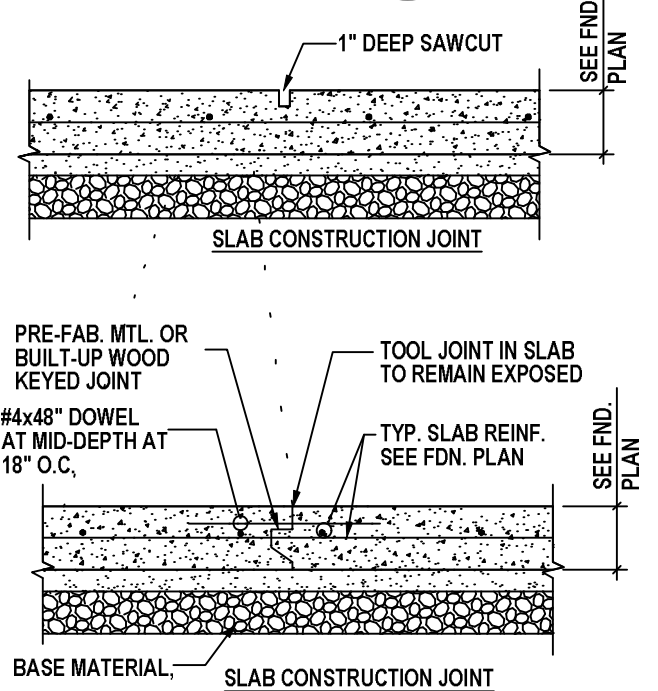


NOTE: SEE DETAIL 18S-1.1 FOR ANCHOR BOLT PLATE REQUIREMENTS.

1. THE EDGE OF THE SQUARE PLATE WASHER TO BE EXTENDED TO WITHIN 1/2" OF SHEATHED EDGE OF THE SILL PLATE.
2. USE 3" x 3" x 0.229" WASHER PLATE FOR ALL ANCHOR BOLTS.

NOTE: SEE DETAIL 18S-1.1 FOR ANCHOR BOLT PLATE REQUIREMENTS.

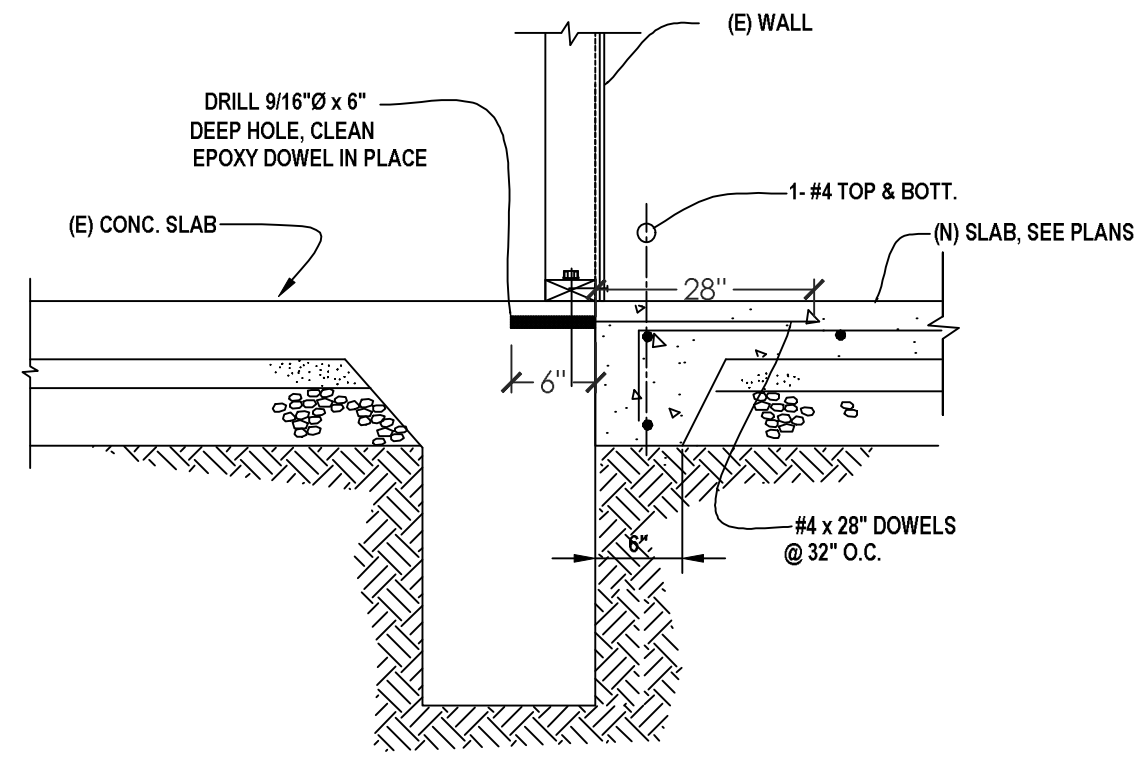
1
S-2



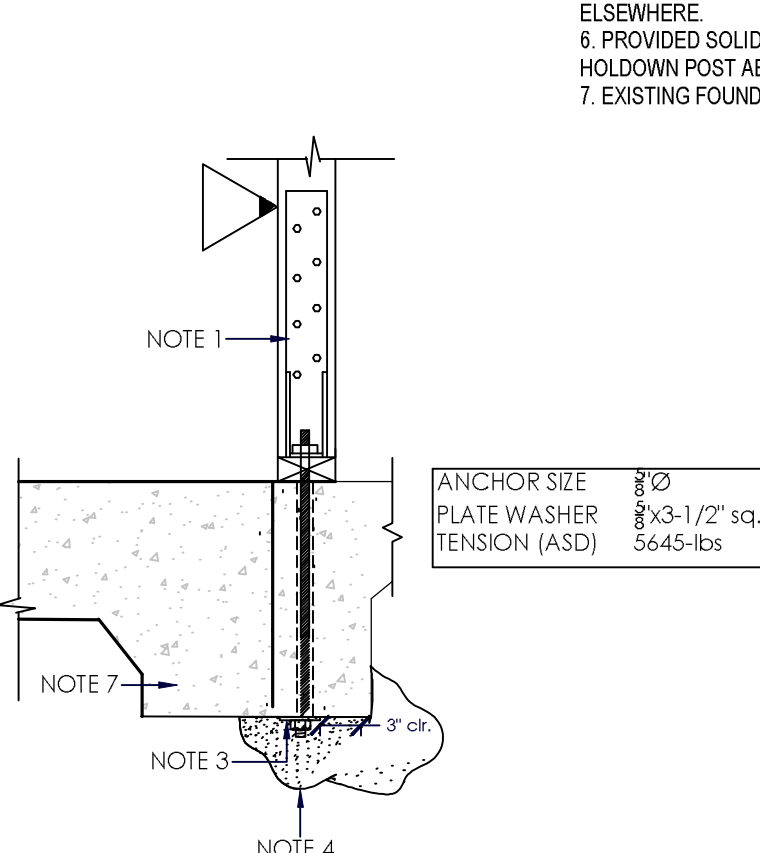
NOTE: (SEE SOIL REPORT, IF ANY): 2" sand over a 4-inch-thick base course consisting of gravel, crushed stone or crushed blast-furnace slag passing a 2-inch sieve shall be placed on the prepared sub-grade when the slab is below grade.

A 10-mil polyethylene or approved vapor retarder with joints lapped not less than 6 inches shall be placed between the concrete floor slab and the base course or the prepared sub-grade where no base course exists.

6
S-2

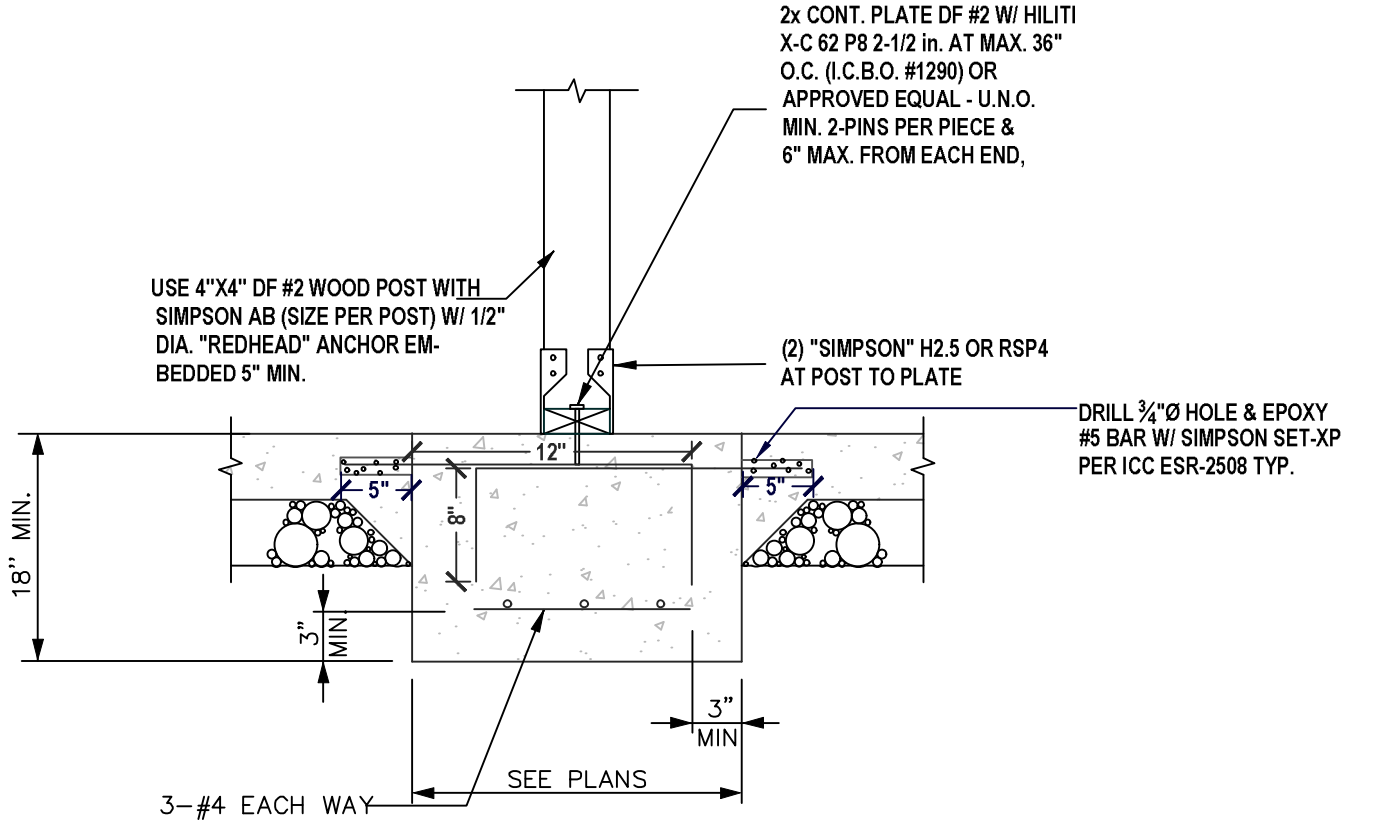


9
S-2

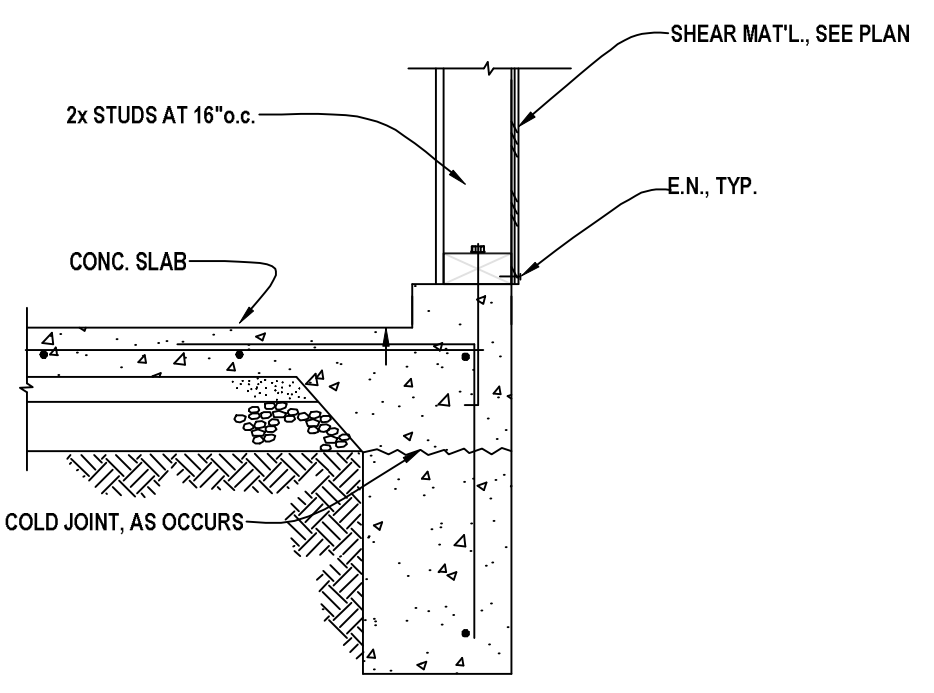


10
S-2

- NOTES:
1. HOLD-DOWN PER PLAN (HDU5 MAX W/ 4x POST).
 2. APPROPRIATELY SIZED HOT-DIPPED GALV. THREADED ROD ANCHOR, ASTM F1554 GRADE 36 OR A307.
 3. HOT-DIPPED GALV. SQUARE PLATE WASHER PER CHART SHOWN.
 4. 3" CLEAR MINIMUM CONCRETE COVER.
 5. RETRO-FIT SHEAR-WALL AS DETAILED ELSEWHERE.
 6. PROVIDED SOLID BLOCKING UNDER HOLD-DOWN POST ABOVE.
 7. EXISTING FOUNDATION AS OCCURS.

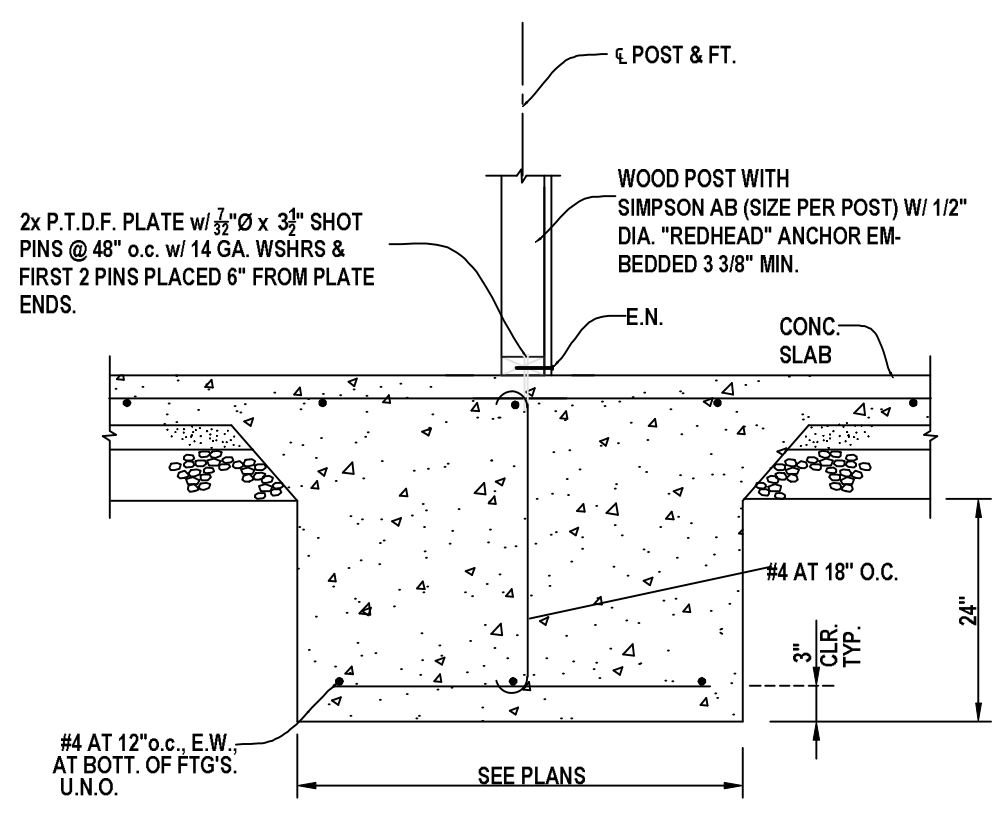


11
S-2

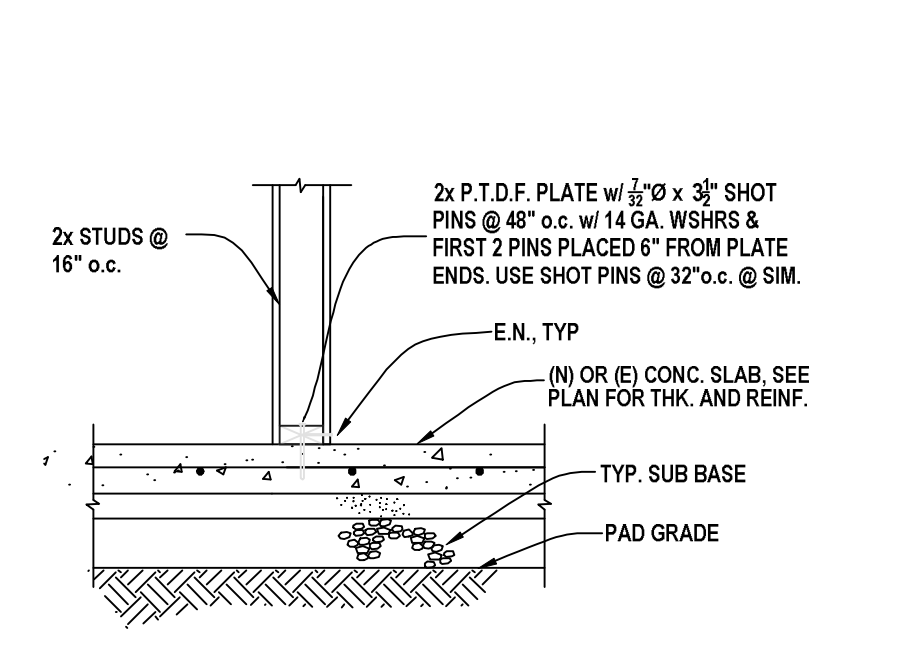


NOTE: SEE DET. 1/S-2 FOR ALL OTHER INFO. NOT SHOWN.

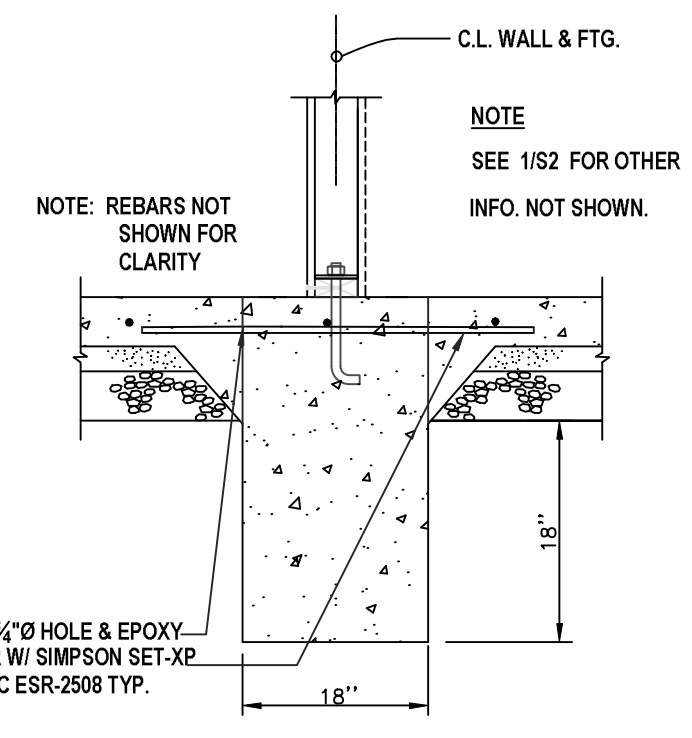
2
S-2



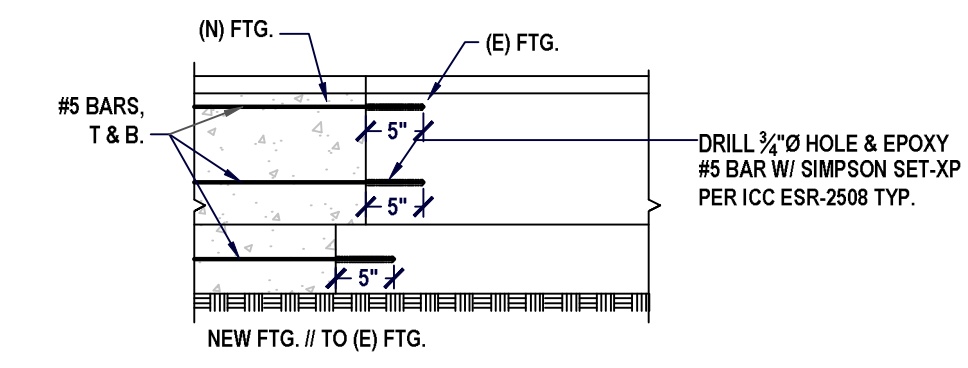
3
S-2



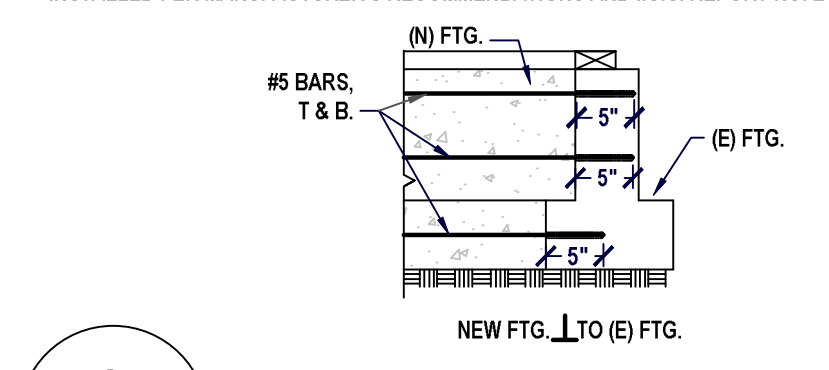
4
S-2



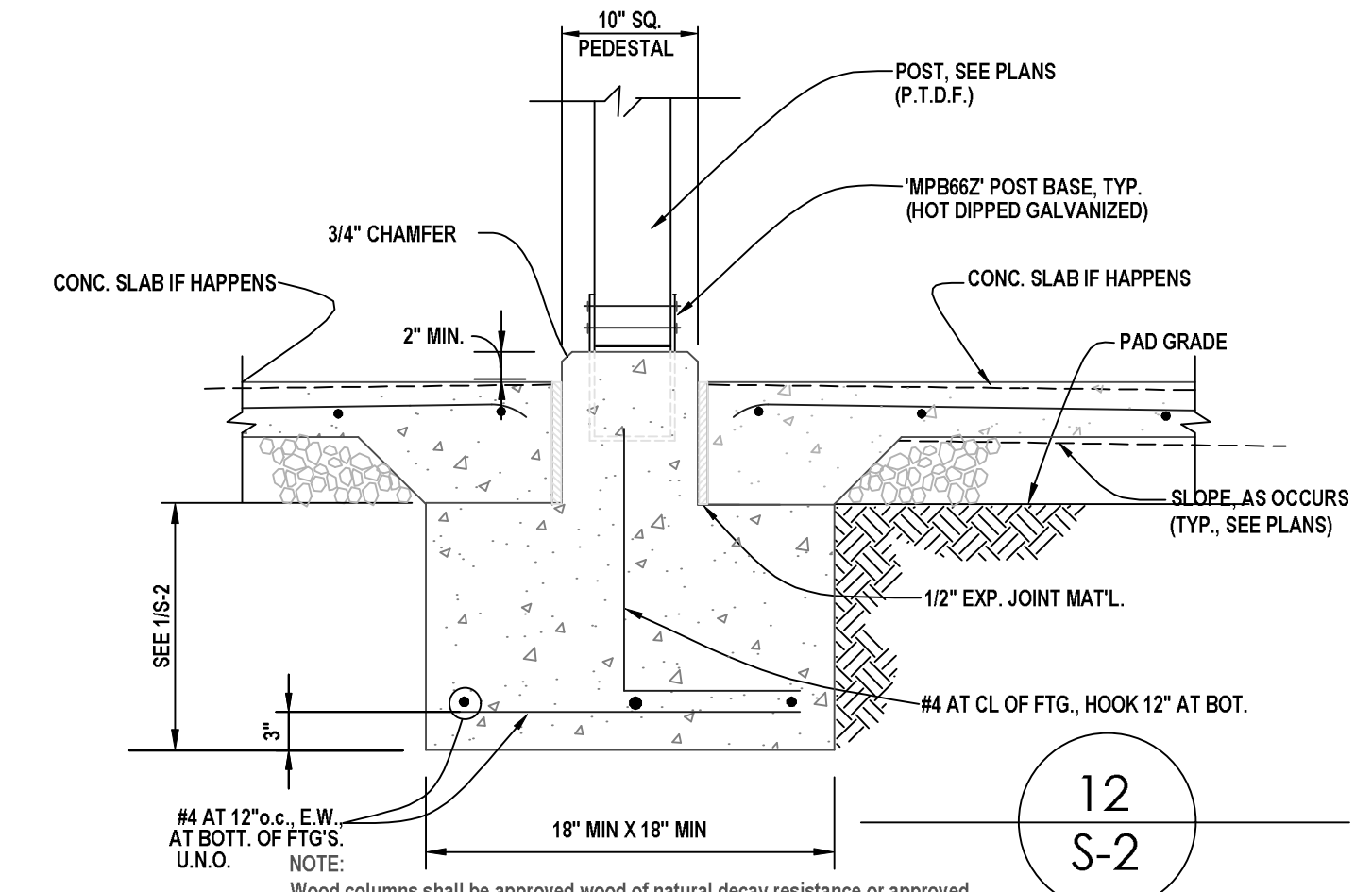
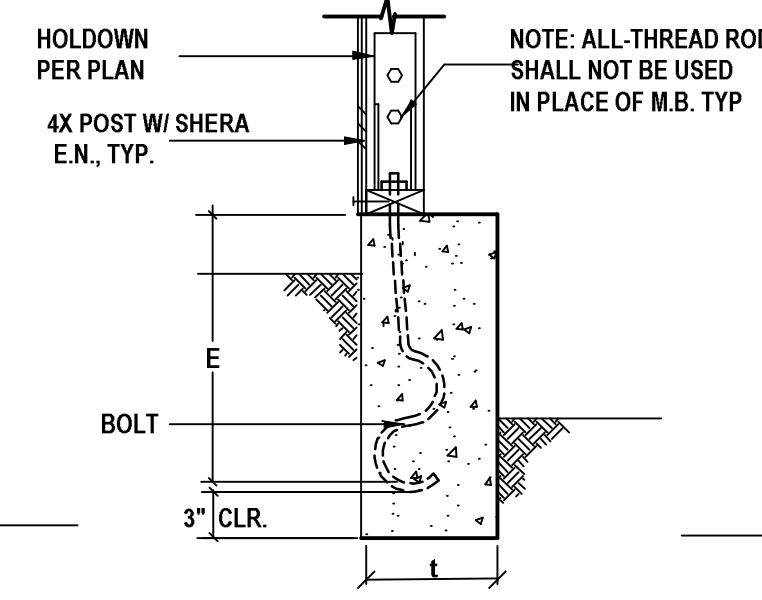
5
S-2



7
S-2



8
S-2



12
S-2

NOTE: Wood columns shall be approved wood of natural decay resistance or approved pressure-preservative-treated wood (R317.1.4). Exceptions:
a) Columns exposed to the weather or in basements when supported by concrete piers or metal pedestals projecting 1 inch above concrete floors or 6 inches above exposed earth and the earth is covered by an approved impervious moisture barrier.

HOLD-DOWN SCHEDULE

MARK	FASTENERS	MINIMUM WOOD MEMBER THICKNESS	ANCHOR BOLT	CAPACITY (lbs)	REMARKS
HDU2	6-SDS 1/4"x2.5"	4 x 4	5/8"	3075	
HDU4	10-SDS 1/4"x2.5"	4 x 4	5/8"	4565	
HDU5	14-SDS 1/4"x2.5"	4 x 4	5/8"	5645	
HDU8	20-SDS 1/4"x2.5"	4 x 4	7/8"	6970	
HDQ8	20-SDS 1/4"x3"	4 x 4	7/8"	7630	
HDU11	30-SDS 1/4"x2.5"	4 x 6	1"	9535	
HDU11-8X8	30-SDS 1/4"x2.5"	8 x 8	1"	11175	
HD19-1 1/8" AB	5 - 1"	6 x 6	1 1/8"	16775	
HD19-1 1/4" AB	5 - 1"	6 x 6	1 1/4"	19070	

TYP. HDU HOLD-DOWN

HD TYPE	ANCHOR TYPE U.O.M. ON PLAN	E	t
HDU2	3" (SB5/8X24)	24"	8"
HDU4, HDU5	3" (SB5/8X24)	24"	8"
HDU8	SB 7/8X24	24"	8"
HDU11, HDQ8	SB 1X30	30"	8"
HDU14, HDQ11	SB 1X30	30"	12"

REVISIONS	BY

PROJECT: WALLACE/JONES RESIDENCE DR., 4254 SUZANNE DR., PALO ALTO, CA

SHEET TITLE: STRUCTURAL FOUNDATION DETAILS



DATE: 12-12-2023
SCALE: N.T.S.
DRAWN BY: M.KASIR
JOB NO: 2022-6-66
SHEET:

S-2